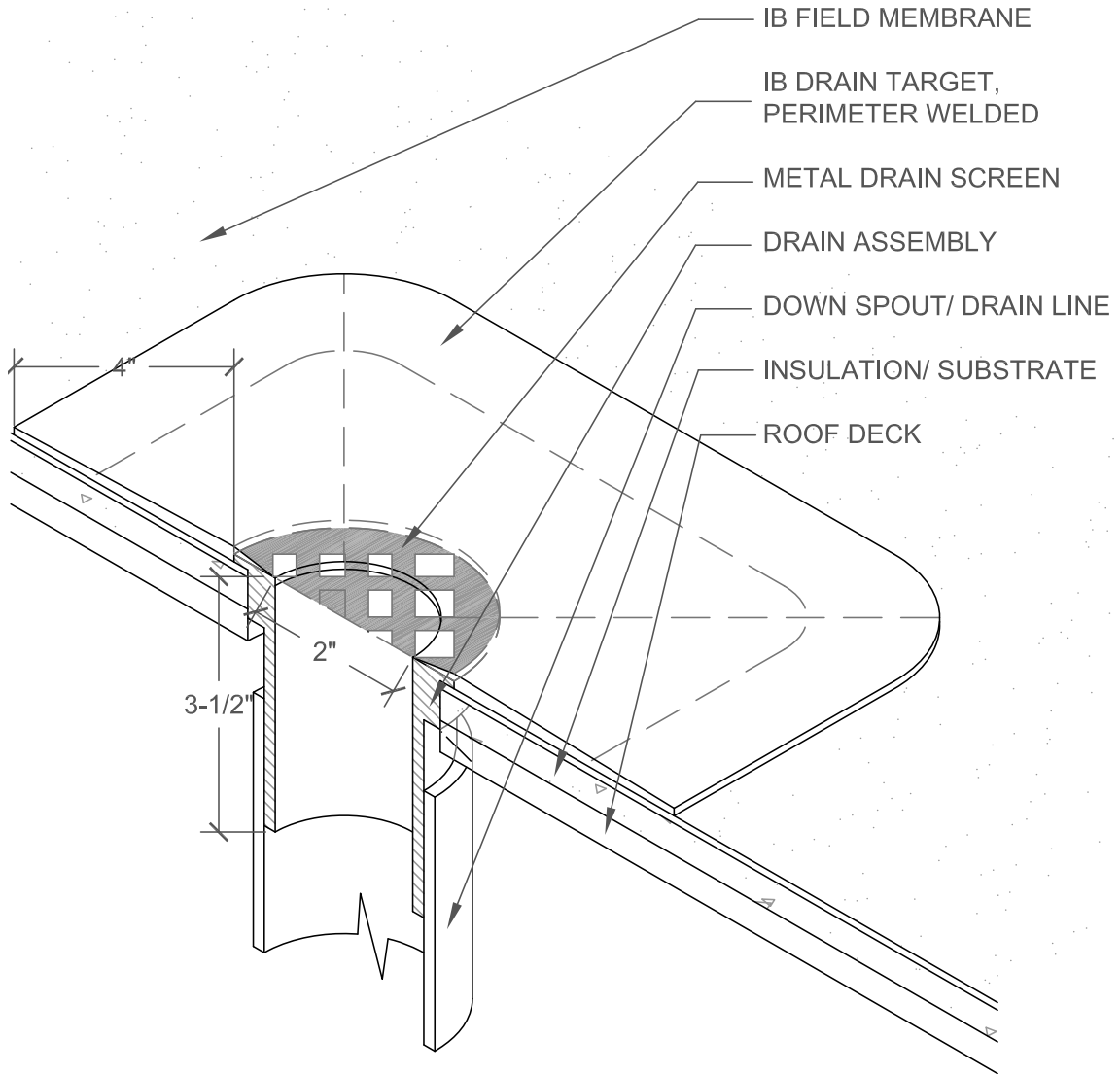


PVC DROP DRAINS



NOTES:

1. DROP DRAINS CAN BE USED FOR ALL IB PVC SYSTEMS (DECKSHIELD, CHEM GUARD, AND STANDARD MEMBRANE) AS AN ADDITIONAL DRAIN TO HELP ELIMINATE STANDING WATER. THE SIZE OF THE PRIMARY ROOF DRAIN IS TO BE DETERMINED BY THE AHJ PER THE INTERNATIONAL BUILDING CODE, AND THE AHJ. DROP DRAINS ARE NOT INTENDED TO BE USED AS REPLACEMENT DRAINS.
2. PVC DRAIN ASSEMBLY IS TO BE GLUED INTO PVC DOWN-SPOUT OR DRAIN LINE. DO NOT LOOSE LAY DROP DRAIN INTO DRAIN LINE.

PROJECT NAME:

TITLE:

FD-5 PVC DROP DRAINS

** Click here to link to the AutoCAD™ drawing*

SCALE: NTS

APPROVED BY:

DRAWN BY: A.SCHWAB

PLOT DATE: 11-08
REV: AS 11-08