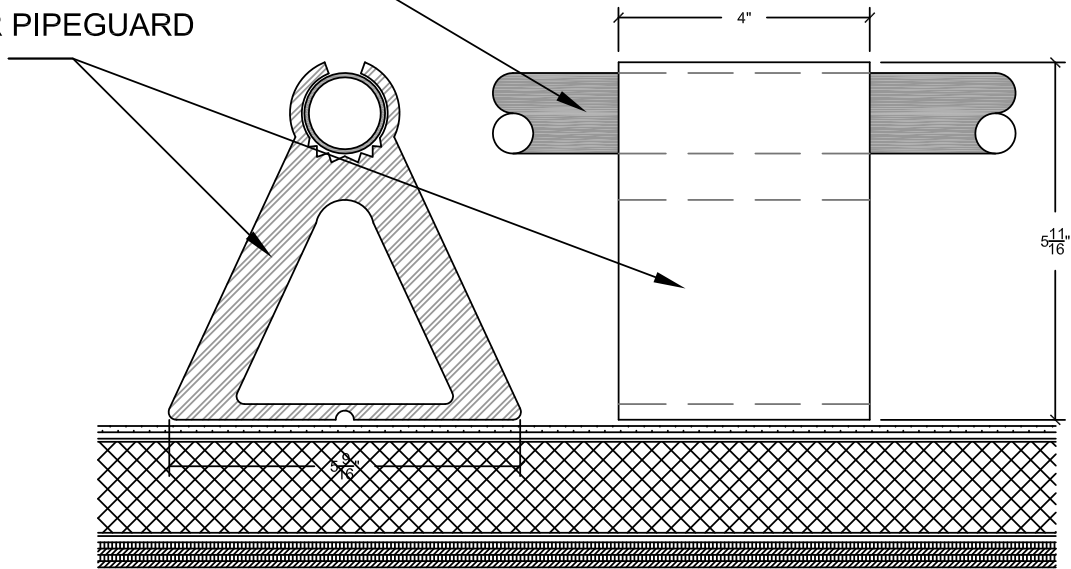


CONDUIT/ GAS/
CONDENSATION PIPE

RUBBER PIPEGUARD



PIPE

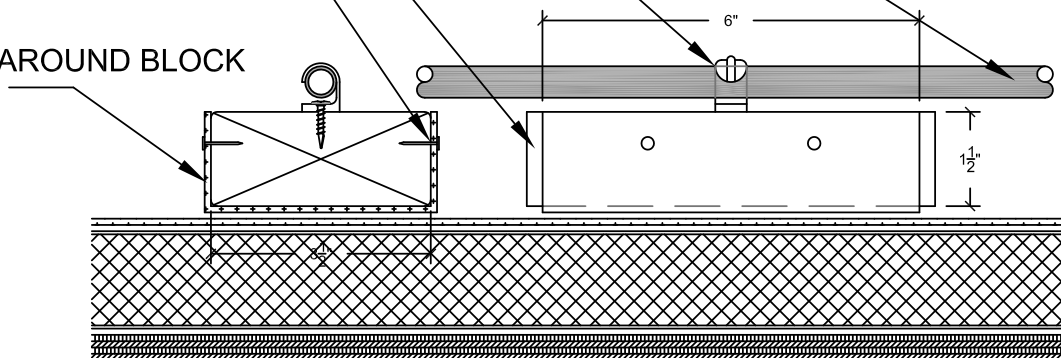
PIPE CLAMP

SCREW FASTENER

COMPOSITE BLOCK OR CEDAR/
REDWOOD BLOCK

E.G ROOFING NAILS

IB MEMBRANE, AROUND BLOCK



PROJECT NAME:

TITLE:

MP-6 ISOLATION PADS

** Click here to link to the AutoCAD™ drawing*

SCALE: NTS

APPROVED BY:

DRAWN BY: A.SCHWAB

PLOT DATE: 11-08
REV: AS 11-08