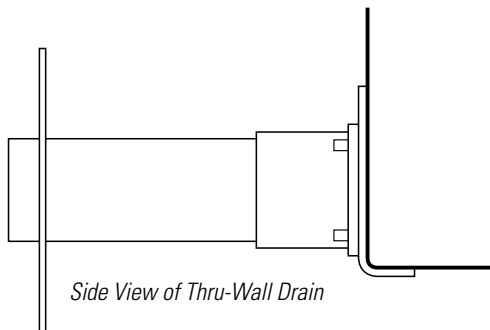


## Drains & Drain Liners

### IB Thru-Wall Drain



Side View of Thru-Wall Drain

### Product Details

These products are made of heavy duty UV stabilized PVC. The extension tube is 12" but can be changed to create any custom length needed on site with a 4" coupler and PVC glue. These products come with an IB membrane target patch dielectrically welded to the flange. These products are designed for ease of installation.

- **Colors Available:** Target patch is available in all IB standard colors.
- **Weight:** 3 lbs. / 36 lbs. per case.
- **Packaging:** Individual or 12 per case.

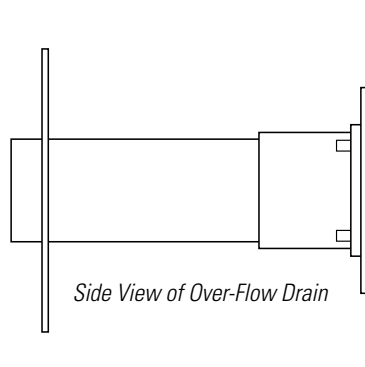
### Thru-Wall Drain Details

Designed for flush mount to roof for direct drainage. Complete with drain screen.

### Thru-Wall Drain Details

Height is 2" from roof to over-flow drain.

### IB Over-Flow Drain



Side View of Over-Flow Drain